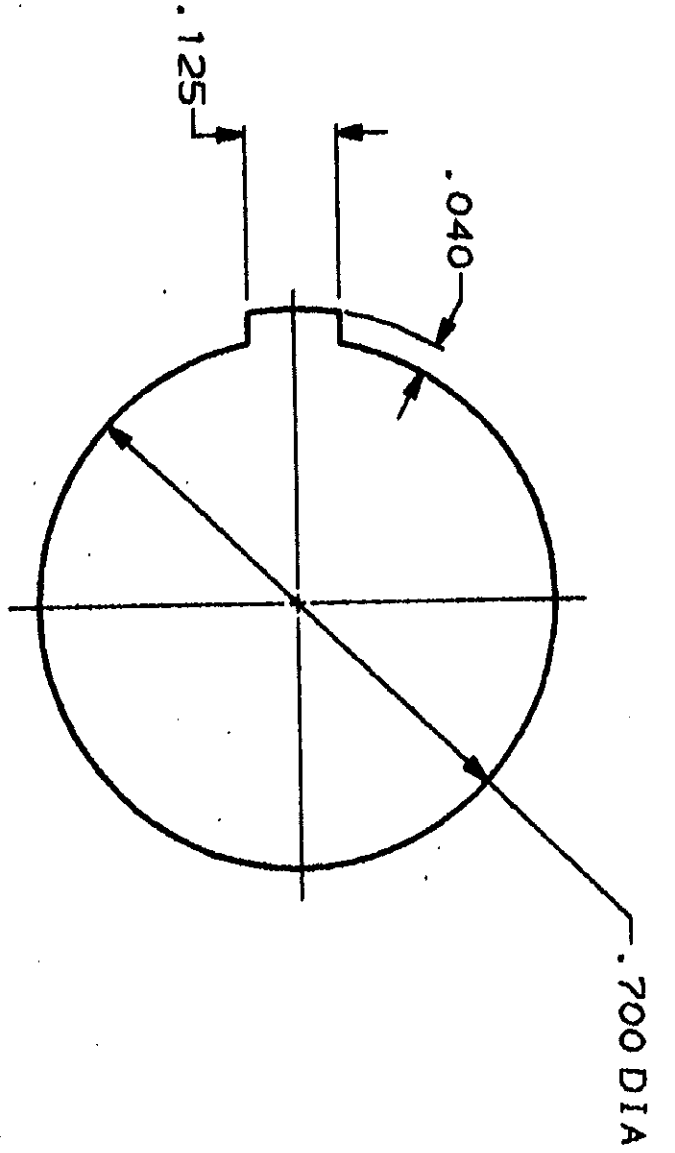
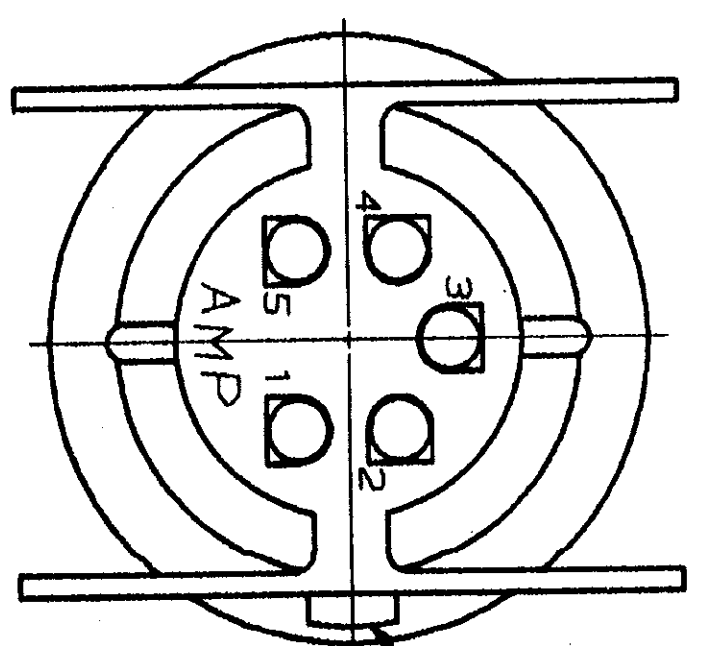
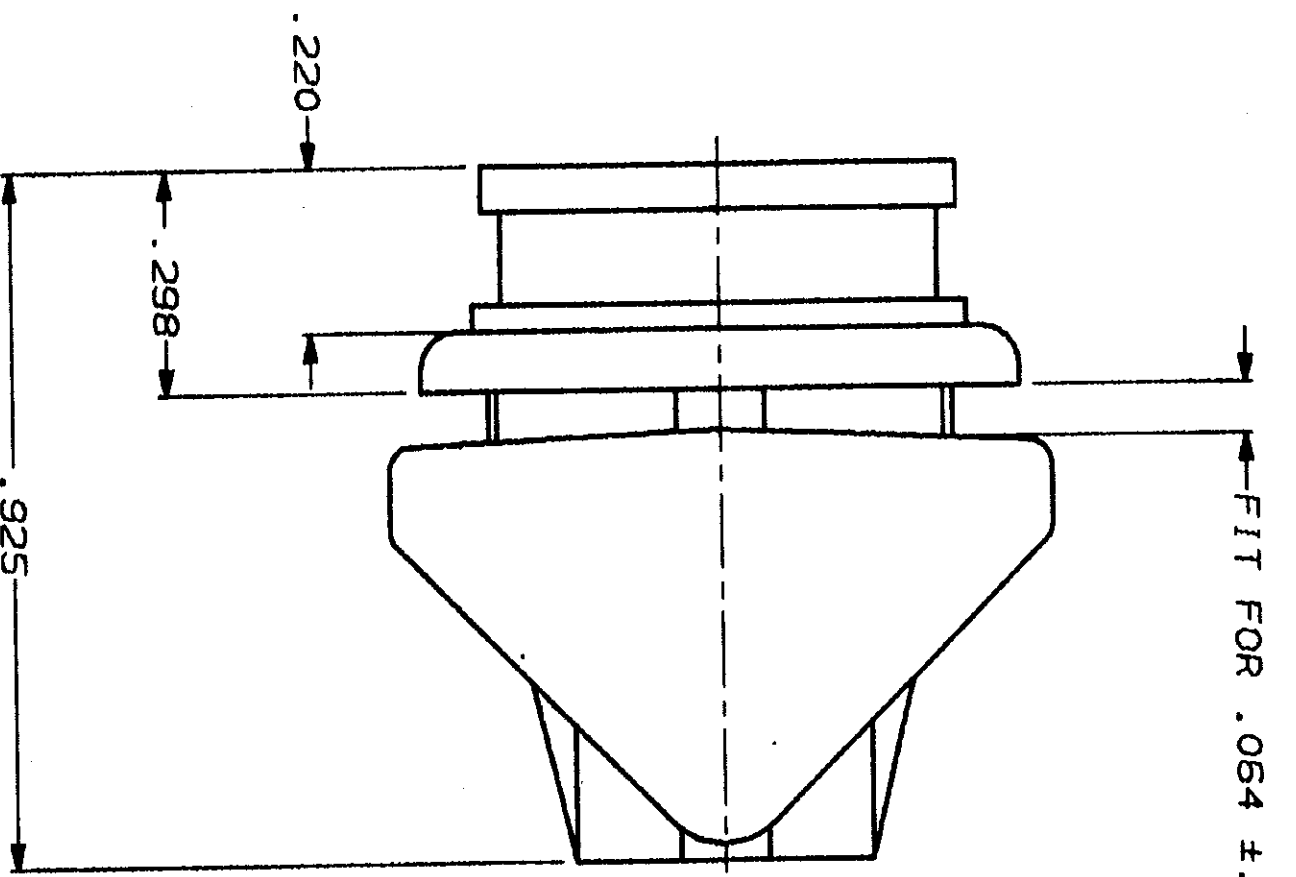
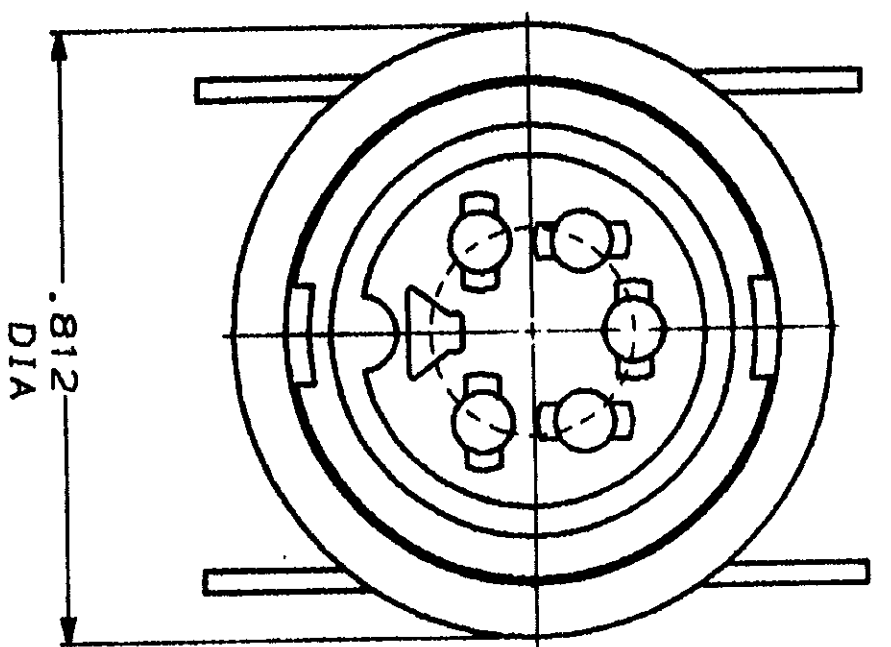


DRAWING MADE IN THIRD ANGLE PROJECTION
 THIS DRAWING IS UNPUBLISHED. RELEASED FOR PUBLICATION
 BY AMP INCORPORATED. ALL INTERNATIONAL RIGHTS RESERVED. © 1989

REV	DATE	BY	DESCRIPTION	DATE	APPD
1					
2					
3					
4					
5					



1. HOUSING TO BE INSERTED FROM PUNCHED SIDE OF PANEL.

DO NOT SCALE PRINT. UNLESS SPECIFIED DIMENSIONS IN INCHES TOLERANCES ON:		DR 9/5/90	NAME
1. FRACTIONAL DIMENSIONS		A. STAB BS	AMP
2. DECIMAL DIMENSIONS		CHK <i>[Signature]</i>	Harrisburg, PA 17105-3608
3. ANGLES		APPD <i>[Signature]</i> 6-3-91	
MATERIAL		APPD <i>[Signature]</i> 9/2/90	
FINISH		PRODUCT SPEC	
THERMOPLASTIC		APPLICATION SPEC	
COLOR-BLACK		SCALE 4:1	
		SIZE C	
		CAGE CODE 00779	
		DRAWING NO 207487	
		SHEET 1 OF 1	

207487-1
PART NO

207487

CUSTOMER DRAWING